



E.M.S. CONCEPT

BP 40037 – 18 Rue du Maréchal Joffre
F 67701 SAVERNE Cedex
Tél. (00 33) 03 88 01 83 84
Fax (00 33) 03 88 71 01 31
Email : info@ems-concept.com
Site : www.ems-concept.com
N° Identification TVA : FR 37 382 003 630

DATASHEET

FTC_CS10-A

AIR COMPRESSOR

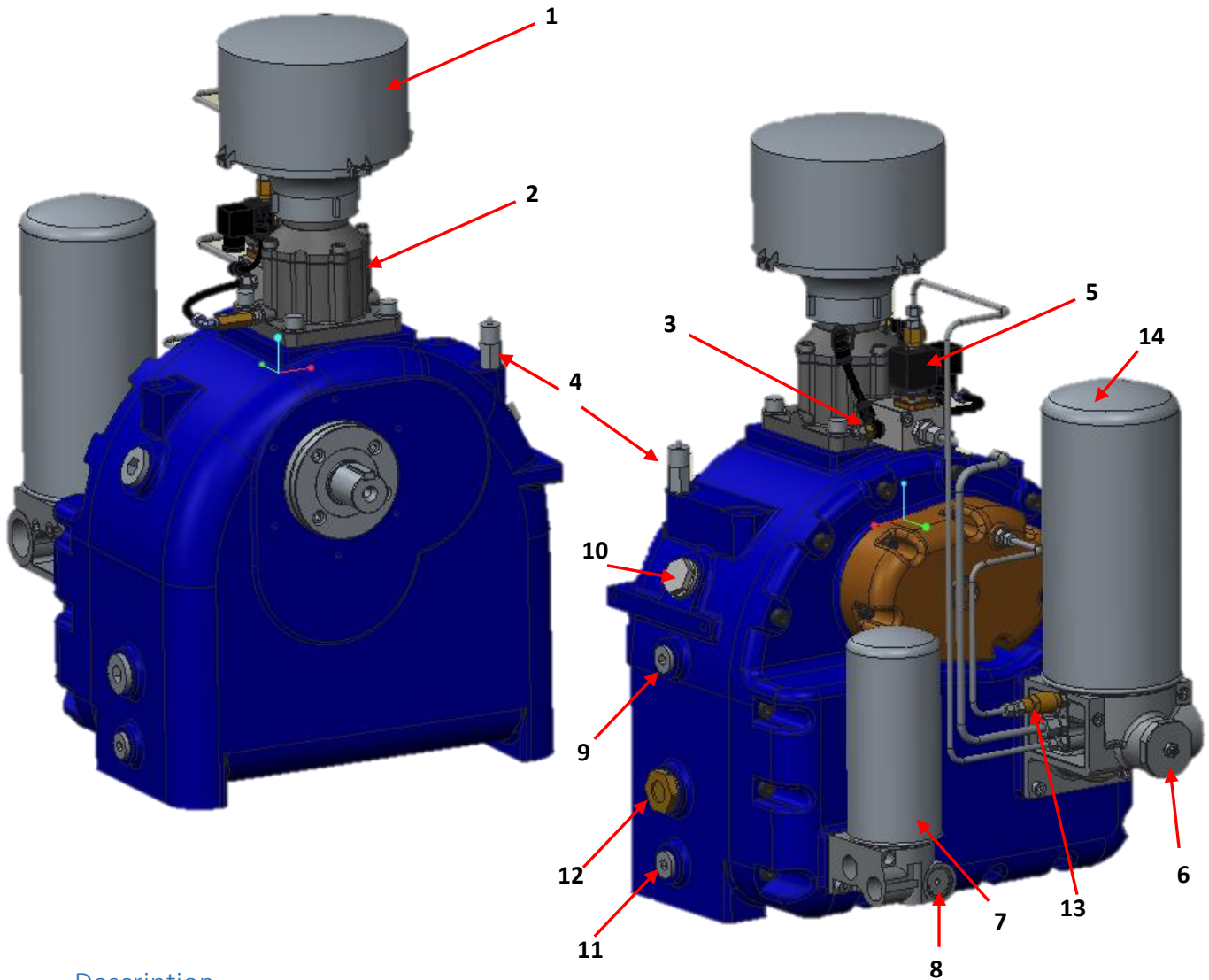
INDEX : 1
BDM : 18-011

CS10-A

PAGE: 1/3

16/01/2018

Picture



Description

- | | |
|----|--------------------------------------|
| 1 | Air filter |
| 2 | Suction valve |
| 3 | Discharge adjustment screw |
| 4 | Safety valve |
| 5 | Solenoid valve |
| 6 | Minimum pressure valve |
| 7 | Oil filter |
| 8 | Thermostatic valve |
| 9 | Temperature sounding connection G1/2 |
| 10 | Oil Load G1 |
| 11 | Oil unload G1/2 |
| 12 | Oil level sight glass |
| 13 | Oil drainage sight glass |
| 14 | Oil separator |

Technical data

Drive : Male

Lobe combination : 5/6

Male rotor size : 108.6 mm

Working pressure :

Min: 3 bar/40 psi

Max: 13 bar/190 psi

Weight : 163 kg/360 lbs



E.M.S. CONCEPT

BP 40037 – 18 Rue du Maréchal Joffre
F 67701 SAVERNE Cedex
Tél. (00 33) 03 88 01 83 84
Fax (00 33) 03 88 71 01 31
Email : info@ems-concept.com
Site : www.ems-concept.com
N° Identification TVA : FR 37 382 003 630

DATASHEET

FTC_CS10-A

AIR COMPRESSOR

INDEX : 1

BDM : 18-011

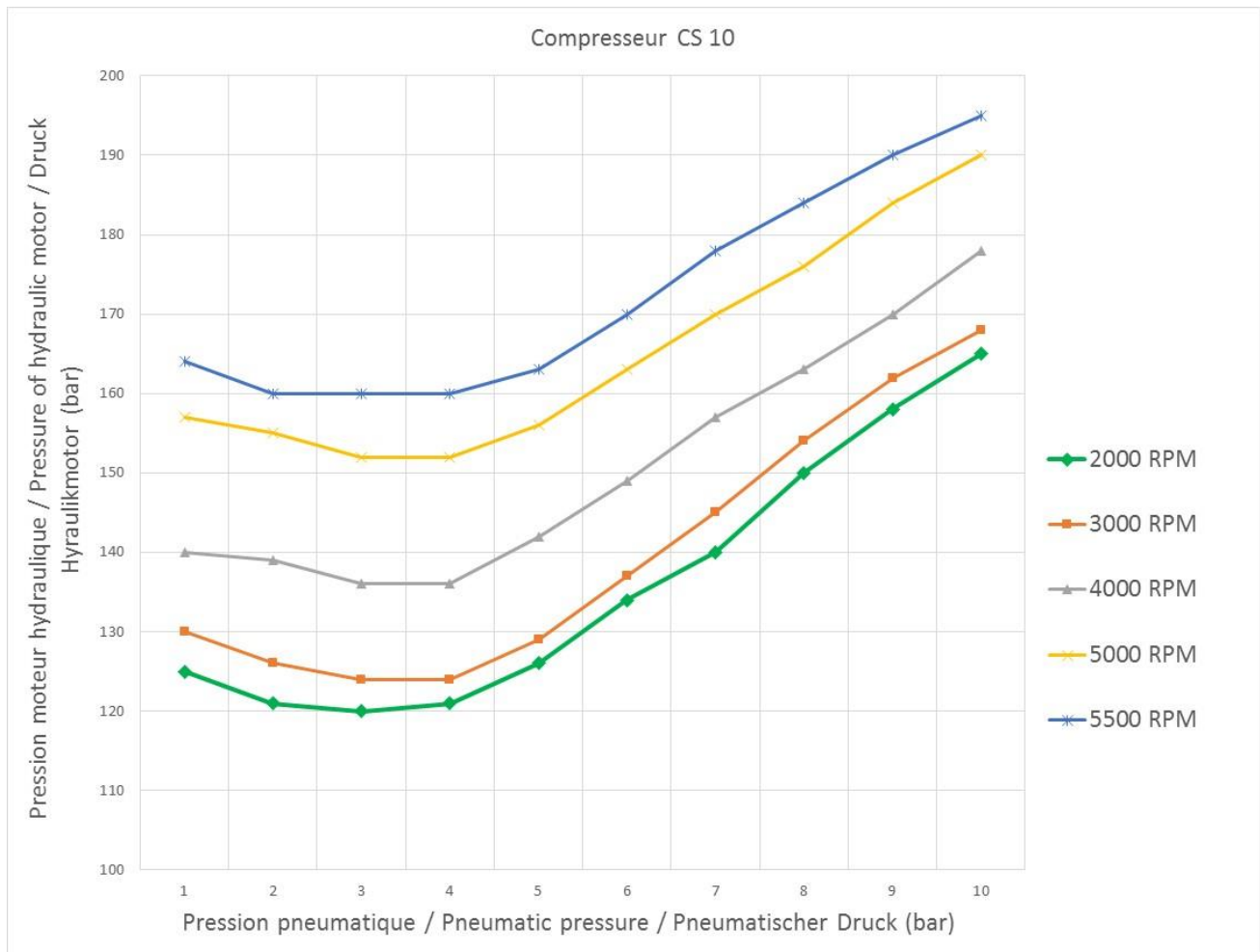
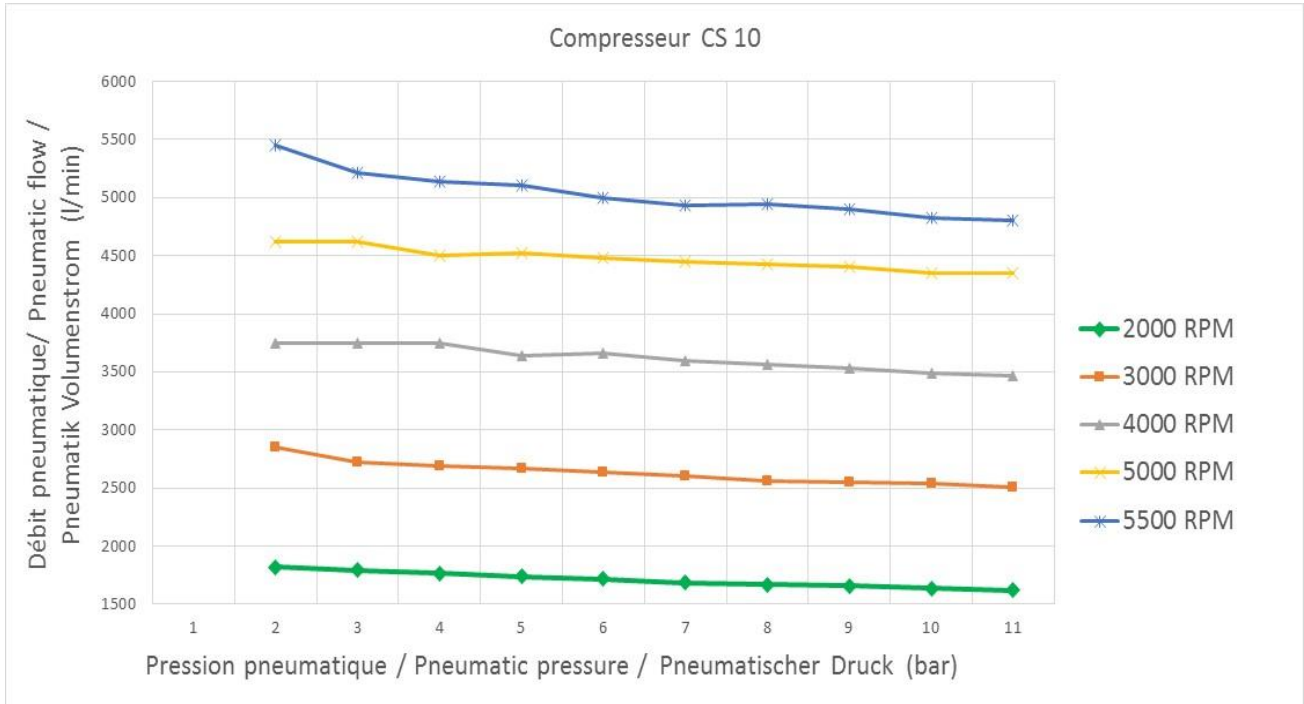
CS10-A

PAGE: 2/3

16/01/2018

Performances table

Note : test performed with hydraulic motor of 25 cc and on a tank of 1000 liters.





E.M.S. CONCEPT

BP 40037 - 18 Rue du Maréchal Joffre
F 67701 SAVERNE Cedex
Tél. (00 33) 03 88 01 83 84
Fax (00 33) 03 88 71 01 31
Email : info@ems-concept.com
Site : www.ems-concept.com
N° Identification TVA : FR 37 382 003 630

DATASHEET

FTC_CS10-A

AIR COMPRESSOR

INDEX : 1
BDM : 18-011

CS10-A

PAGE: 3/3

16/01/2018

Dimensions

